

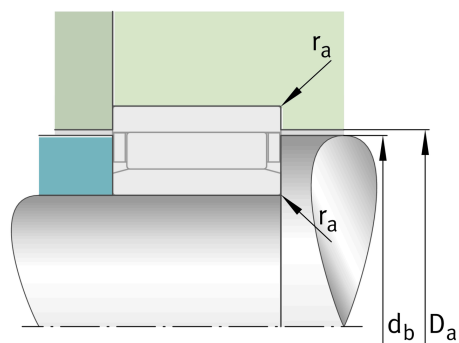
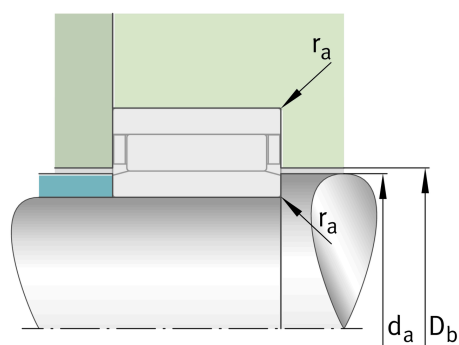
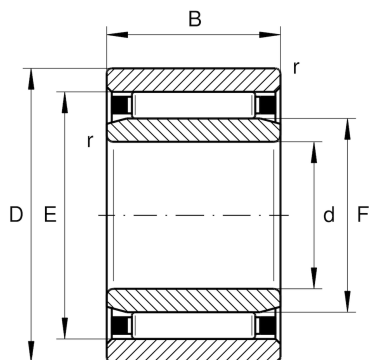
NAO12X24X13

Radial roller bearing

Schaeffler ID:
0001432510000

Radial roller bearing NAO

Technical information



Main Dimensions & Performance Data

d	12 mm	Bore diameter
D	24 mm	Outside diameter
B	13 mm	Width
C _r	8,900 N	Basic dynamic load rating, radial
C _{0r}	11,800 N	Basic static load rating, radial
C _{ur}	1,560 N	Fatigue load limit, radial
n _G	23,600 1/min	Limiting speed
n _{G Grease}	14,100 1/min	Limiting speed for grease lubrication
n _{gr}	15,000 1/min	Reference speed
	29.9 g	Weight

Dimensions

r _{min}	0.3 mm	Minimum chamfer dimension
E	20 mm	Raceway diameter outer ring
F	16 mm	Raceway diameter inner ring
s	0.5 mm	Axial displacement

Mounting dimensions

r _{a max}	0.3 mm	Maximum recess radius
d _a	15.7 mm	Mounting dimension
d _b	19.6 mm	Shoulder diameter axial guidance NK/shaft
D _a	20.3 mm	Shoulder diameter outer ring
D _b	16.4 mm	Shoulder diameter axial guidance NK/housing

Temperature range

T _{min}	-30 °C	Operating temperature min.
T _{max}	120 °C	Operating temperature max.

